

Installation Guide for the IN485MIT001I000 Gateway

Version 1.0.1

Owner's record

Find the serial number on the silver label on the right side of the gateway. For sales or technical assistance, we recommend writing it in the space below:

SN:

Safety Information



Follow these instructions carefully. Improper work may seriously harm your health and damage the gateway and/or any other equipment connected to it.

Only technical personnel, following these instructions and the country legislation for installing electric equipment, can install and manipulate this gateway.

Install this gateway indoors, in a restricted access location, avoiding exposure to direct solar radiation, water, high relative humidity, or dust.

All wires for communication and power supply (if needed) must only be connected to networks without routing to the outside plant. All communication ports are considered for indoor use and must only be connected to SELV circuits.

Disconnect power wires before manipulating and connecting them to the gateway.

Respect the expected polarity of power (if needed) and communication cables when connecting them to the gateway.

Mounting

Mount the gateway inside the AC indoor unit, over a wall, or over a DIN rail.



Do not mount the gateway in air-handling units or conducts.



DIN rail mounting inside a grounded metallic cabinet is recommended.

Mounting the gateway inside the AC indoor unit

1. Look for the proper place to mount the gateway, taking into consideration the following:

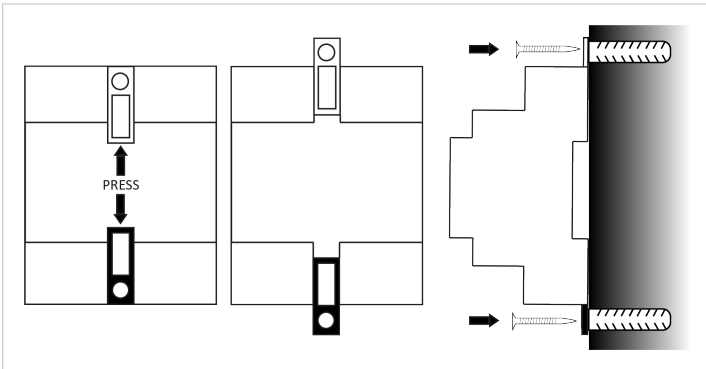


- Keep communication cables away from power and ground wires.
- Ensure the gateway does not block any mobile parts of the AC unit.

2. Leave the gateway on top of a secure, plain surface.
3. Use double-sided tape to ensure a secure fixing if needed.

Wall mounting

1. Press the rear panel clips outwards until you hear a *click*.
2. Use the clip holes to screw the gateway to the wall.
3. Make sure the gateway is firmly fixed.



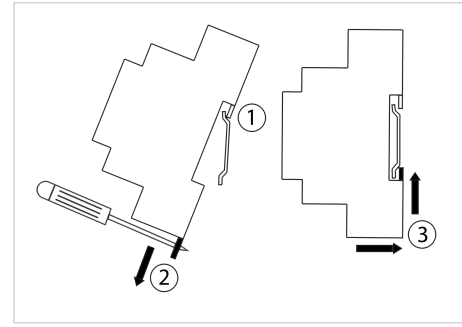
DIN rail mounting

Keep the clips in its original position.

1. Fit the gateway's top-side clip in the upper edge of the DIN rail.
2. Press the low side of the gateway gently to lock it in the DIN rail.
3. Make sure the gateway is firmly fixed.



For some DIN rails, to complete step 2, you may need a small screwdriver or similar to pull the bottom clip down.



Wiring

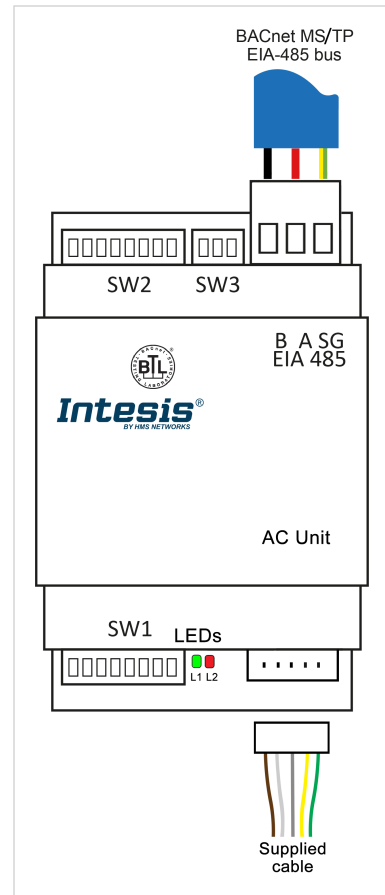


Figure 1. Wiring diagram (wire colors are indicative only)

1. Disconnect the AC system from the power source.
2. Mount the gateway in the desired place.
3. Use the supplied cable to connect the AC unit and the gateway:



This cable is 1.5 m (4.9 feet) long. Its modification in length may affect the correct operation of the gateway.

- a. **AC unit connection:** Plug the largest unsheathed cable part connector into the socket CN105 (CN92 in some units) of the AC unit control board.
 - b. **Gateway connection:** Plug the other end connector, the one on the shortest unsheathed part of the cable, into the socket labeled as **AC Unit**.
4. Connect the BACnet MS/TP bus to the EIA-485 port of the gateway.



Observe polarity: B -, A +, and SG for ground connection.



Keep communication cables away from power and ground wires.

DIP Switches

The gateway includes three DIP switches: SW1 (8 switches) at the bottom and SW2 (8 switches) and SW3 (3 switches) at the top.

Table 1. SW1(P6 to P8): BACnet MS/TP baudrate

Binary value b0 .. b7	Position								Description
	1	2	3	4	5	6	7	8	
XXXXX000	X	X	X	X	X	↓	↓	↓	Autobaudrate (default value)
XXXXX100	X	X	X	X	X	↑	↓	↓	9600 bps
XXXXX010	X	X	X	X	X	↓	↑	↓	19200 bps
XXXXX110	X	X	X	X	X	↑	↑	↓	38400 bps
XXXXX001	X	X	X	X	X	↓	↓	↑	57600 bps
XXXXX101	X	X	X	X	X	↑	↓	↑	76800 bps
XXXXX011	X	X	X	X	X	↓	↑	↑	115200 bps
XXXXX111	X	X	X	X	X	↑	↑	↑	Autobaudrate

Table 2. SW2 (P1 to P7): BACnet MS/TP MAC address; (P8): Temperature unit (°C/°F)

Binary value b0 .. b7	Position								MAC address	Description
	1	2	3	4	5	6	7	8		
0000000X	↓	↓	↓	↓	↓	↓	↓	X	0	-
1000000X	↑	↓	↓	↓	↓	↓	↓	X	1	-
0100000X	↓	↑	↓	↓	↓	↓	↓	X	2	-
1100000X	↑	↑	↓	↓	↓	↓	↓	X	3	-
...	-
1011111X	↑	↓	↑	↑	↑	↑	↑	X	125	-
0111111X	↓	↑	↑	↑	↑	↑	↑	X	126	-
1111111X	↑	↑	↑	↑	↑	↑	↑	X	127	-
XXXXXXXX0	X	X	X	X	X	X	X	↓	-	Temperature in Celsius (default)
XXXXXXXX1	X	X	X	X	X	X	X	↑	-	Temperature in Fahrenheit

Table 3. SW3 (P1 to P3): BACnet polarization and termination resistor

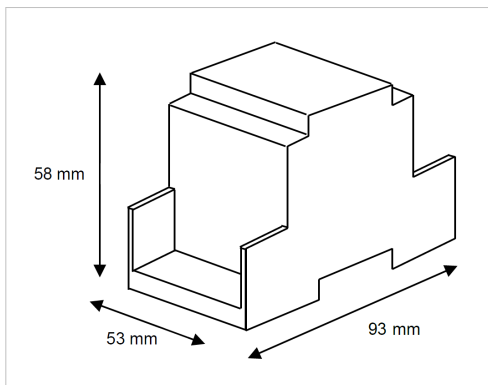
Binary value b0 .. b2	Position			Description
	1	2	3	
0XX	↓	X	X	EIA-485 bus without termination resistor. The gateway is not at one end of the EIA-485 bus (default value)
1XX	↑	X	X	120 Ω termination resistor active. The gateway is at one end of the EIA-485 bus
X00	X	↓	↓	No bus polarization (default value)
X11	X	↑	↑	Bus polarization active



The DIP switches configuration will only take effect after rebooting the gateway.

Dimensions

- Net dimensions (HxWxD):**
Millimeters: 93 x 53 x 58 mm
Inches: 3.7 x 2.1 x 2.3"



Leave enough clear space to wire the gateway easily and for the subsequent manipulation of elements.

LEDs Information

Two LEDs are placed between SW1 and the AC Unit socket at the gateway's bottom.

LED	Status	Description
BACnet		
L1 Green	ON	BACnet MS/TP link performed
	Flickering	Activity on the BACnet MS/TP bus
	OFF	BACnet MS/TP link not performed
AC unit		
L2 Red	ON	AC communication error
	Blinking	AC unit error
	Flashing	AC communication OK
LED PATTERNS		
<ul style="list-style-type: none"> ON: 100% on Flickering: irregular cycle (90% on - 10% off approx) Blinking: 50% on - 50% off Flashing: 10% on - 90% off OFF: 100% off 		

Technical Specifications

Housing	Plastic, type PC (UL 94 V-0) Net dimensions (HxWxD): 93 x 53 x 58 mm / 3.7 x 2.1 x 2.3" Color: Light grey. RAL 7035
Weight	85 g (3 oz)
Terminal wiring	Wire cross-section/gauge per terminal: One core: 0.2 .. 2.5 mm ² (24 .. 11 AWG) Two cores: 0.2 .. 1.5mm ² (24 .. 15 AWG) Three cores: Not permitted Use solid or stranded wires (twisted or with ferrule).
Mounting	Wall, DIN rail, or inside the indoor unit
EIA-485 port BACnet MS/TP	1 x pluggable terminal block (3 poles: B, A, and SG)
AC unit port	1 x Specific socket
LED indicators	2 x Communication status
DIP switches	SW1: Baudrate configuration SW2: MAC address and temperature unit SW3: Bus polarization and termination:
Operational and storage temperature	Celsius: Op: 0 to +70°C; St: -20 to 85°C Fahrenheit: Op: 32 to 158°F; St: -4 to 185°F
Operational and storage humidity	5% to 95% RH non-condensing
Isolation Voltage	1500 VDC
Isolation resistance	1000 MΩ

Disposal and Recycling



This product contains electronic components and must be properly disposed of according to local laws and regulations. For further information, refer to: <https://www.intesis.com/weee-regulation>

For further information on the installation, connection, and configuration of this gateway, refer to the [User manual](#).