

**INMBSDAL1280200**  
**DALI to Modbus Server gateway**  
Order Code: INMBSDAL1280200

**Installation Sheet version 1.5**  
HMS Industrial Networks S.L.U ©

**SAFETY INSTRUCTIONS**

**⚠ WARNING**

**Follow these safety and installation instructions carefully. Improper work may lead to serious harm to your health and may also seriously damage the Intesis gateway and/or any other equipment connected to it.**

The Intesis gateway must be installed by accredited electrician or similar technical personnel, following all the safety instructions given here and always in accordance with the country legislation for installation of electric equipment.

The Intesis gateway cannot be installed outdoors or exposed to direct solar radiation, water, high relative humidity, or dust.

The Intesis gateway must only be installed in a restricted access location.

In case of wall mount, fix firmly the Intesis gateway on a non-vibrating surface following the instructions in the installation section.

In case of DIN rail mount fix the Intesis device properly to the DIN rail following the instructions in the installation section.

Mounting on DIN rail inside a metallic cabinet properly connected to earth is recommended.

Always disconnect power of any wires before manipulating and connecting them to the Intesis gateway.

A power supply with an NEC Class 2 or Limited Power Source (LPS) and SELV rated is to be used.

Always respect the expected polarity of power and communication cables when connecting them to the Intesis gateway.

Always supply a correct voltage to power the Intesis gateway, see details of voltage range admitted by the device in the technical characteristics below.

**CAUTION:** Risk of Explosion if Battery is replaced by an Incorrect Type. Dispose of Used Batteries according to the instructions. Battery replacement shall be done by an authorized installer.

**CAUTION:** The device is to be connected only to networks without routing to the outside plant, all communication ports are considered for indoor only.

This device was designed for installation in an enclosure. To avoid electrostatic discharge to the unit in environments with static levels above 4 kV, precautions should be taken when the device is mounted outside an enclosure. When working in an enclosure (ex. making adjustments, setting switches etc.) typical anti-static precautions should be observed before touching the unit.

**Safety instructions in other languages can be found at:**  
<https://intesis.com/docs/manuals/v6-safety>

**CONFIGURATION**

Use the **Configuration Tool** to configure the gateway.

See instructions to download and install the latest version at:  
<https://www.intesis.com/products/intesis-maps#download>

Use the Ethernet connection or the Console Port (mini-USB type B connector included) for communication between the gateway and the configuration tool. See CONNECTIONS below and follow instructions of user's manual for more details.

**Owner's Record**

The serial number is located at the rear of the gateway. Record this information in the space provided below. Refer to it whenever you contact upon your gateway dealer or support team regarding this product.

Serial No. \_\_\_\_\_

**INSTALLATION**

**Follow these instructions to properly install the gateway.**

Disconnect from mains the power supply before connecting it to the Intesis device.

Disconnect power of any bus or communication cable before connecting it to the Intesis gateway.

Mount the Intesis device on the wall or DIN rail following the instruction given below, respecting the safety instructions given above.

Connect a NEC Class 2 or Limited Power Source (LPS) and SELV rated power supply to the Intesis device, respect the polarity if DC power or Line and Neutral if AC power. Always apply a voltage within the range admitted by the Intesis gateway and of enough power (see technical characteristics).

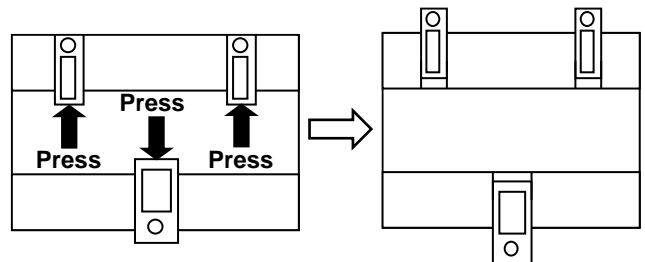
Circuit-breaker must be used before the power supply. Rating 250V-6A.

Connect the communication cables to the Intesis gateway, see details on the user's manual.

Power the Intesis gateway and the rest of devices connected to it.

**Wall Mount**

1. Separate the fixing clips in the bottom of the box, pushing them to the outside until hear the "click" which indicates that now the clips are in position for wall mount, see in the figure below.
2. Use the holes of the clips to fix the box in the wall using screws. Use the template below for the wall wholes.

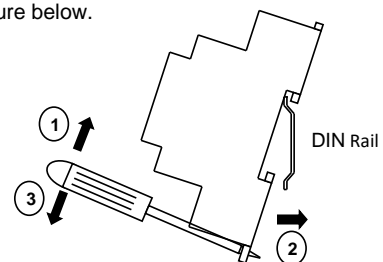


**Clips in their original position (for DIN rail mount)**

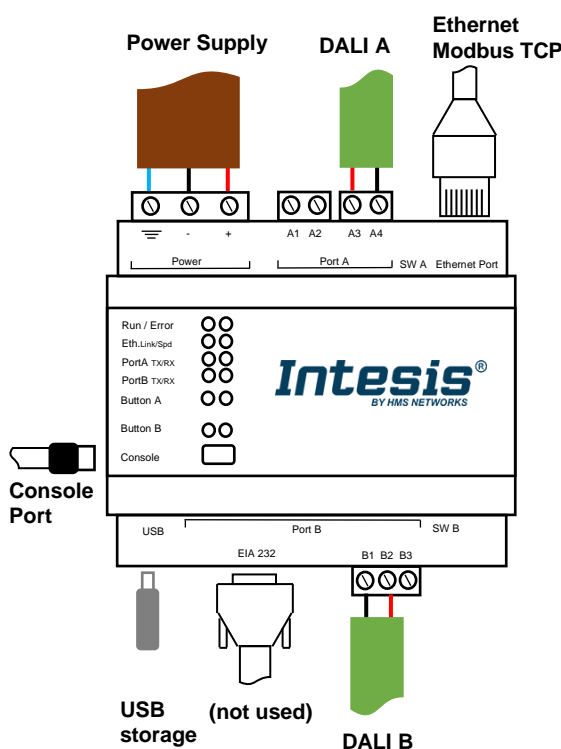
**Clips in position for wall mount**

**DIN Rail Mount**

With the clips of the box in their original position, insert first the box in the upper edge of the DIN rail and later insert the box in the down part of the rail, using a small screwdriver and following the steps in the figure below.



# CONNECTIONS



## Power Supply

Must use NEC Class 2 or Limited Power Source (LPS) and SELV rated power supply. Respect polarity applied of terminals (+) and (-). Be sure the voltage applied is within the range admitted (check table below). The power supply can be connected to earth but only through the negative terminal, never through the positive terminal.

## Ethernet / Modbus TCP / Console (UDP & TCP)

Connect the cable coming from the IP network to the connector ETH of the gateway. Use an Ethernet CAT5 cable. If communicating through the LAN of the building, contact the network administrator and make sure traffic on the port used is allowed through all the LAN path (check the gateway user manual for more information). With factory settings, after powering up the gateway, DHCP will be enabled for 30 seconds. After that time, if no IP is provided by a DHCP server, the default IP 192.168.100.246 will be set.

## PortA / DALI A

Connect the DALI bus to connectors A3 (DA+) A4 (DA-) of gateway's PortA. The Intesis gateway provides 16VDC (+/-2%) DALI voltage to the bus.

## PortB / DALI B

Connect the DALI bus to connectors B1 (DA-) B2 (DA+) of gateway's PortB. The Intesis gateway provides 16VDC (+/-2%) DALI voltage to the bus.

## Console Port

Connect a mini-type B USB cable from your computer to the gateway to allow communication between the Configuration Software and the gateway. Remember that Ethernet connection is also allowed. Check the user manual for more information.

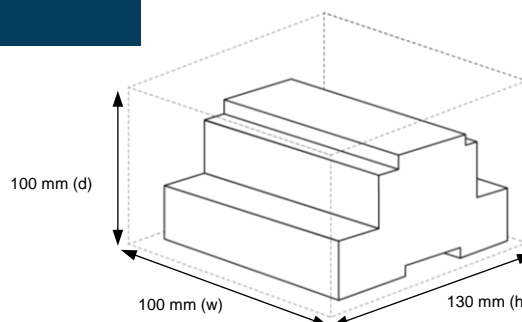
## USB

Connect a USB storage device (not an HDD) if required. Check the user manual for more information.

# ELECTRICAL & MECHANICAL FEATURES

<b>Housing</b>	Plastic, type ABS (UL 94 V-0) Net dimensions (HxWxD): 90x88x56 mm Recommended space for installation (HxWxD): 130x100x100 mm Color: Light Grey. RAL 7035
<b>Mounting</b>	Wall. DIN rail EN60715 TH35.
<b>Terminal Wiring</b> (for power supply and low-voltage signals)	Per terminal: solid wires or stranded wires (twisted or with ferrule) One core: 0.2 mm <sup>2</sup> ... 2.5 mm <sup>2</sup> Two cores: 0.2 mm <sup>2</sup> ... 1.5 mm <sup>2</sup> Three cores: Not permitted
<b>Power</b>	1 x Plug-in screw terminal block (3 poles) Positive, Negative, Earth 24VDC±10%
<b>Ethernet</b>	1 x Ethernet 10/100 Mbps RJ45 2 x Ethernet LED: port link and activity
<b>Port A</b>	1 x DALI port (Plug-in screw terminal block orange 2 poles) 1500 VDC isolation from other ports DALI guaranteed power: 235 mA DALI maximum power 250 mA Voltage rating: 16 VDC 1 x Plug-in screw terminal block green (2 poles) Reserved for future use
<b>Switch A</b> (SWA)	1 x DIP-Switch for PORT A configuration: Reserved for future use
<b>PORT B</b>	1 x DALI port (Plug-in screw terminal block green 2 poles) 1500 VDC isolation from other ports DALI guaranteed power: 235 mA DALI maximum power 250 mA Voltage rating: 16 VDC
<b>Switch B</b> (SWB)	1 x DIP-Switch for PORT B configuration: Reserved for future use

<b>Battery</b>	Size: Coin 20 mm x 3.2 mm Capacity: 3 V / 225 mAh Type: Manganese Dioxide Lithium
<b>Console Port</b>	Mini Type-B USB 2.0 compliant 1500 VDC isolation
<b>USB port</b>	Type-A USB 2.0 compliant Only for USB flash storage device (USB pen drive) Power consumption limited to 150 mA (HDD connection not allowed)
<b>Push Button</b>	Button A: Check the user manual Button B: Check the user manual
<b>Operation Temperature</b>	0°C to +50°C
<b>Operational Humidity</b>	5 to 95%, no condensation
<b>Protection</b>	IP20 (IEC60529)
<b>LED Indicators</b>	10 x On board LED indicators 2 x Error (red) / Power LED 2 x Ethernet Link / Speed 2 x Port A TX/RX 2 x Port B TX/RX 1 x Button A indicator 1 x Button B indicator



This marking on the product, accessories, packaging or literature (manual) indicates that the product contains electronic parts and they must be properly disposed of by following the instructions at <https://intesis.com/weee-regulation>