

INBACPRT***0000 PROFINET to BACnet IP & MS/TP Server gateway

Order Code: INBACPRT***0000

*** stands for the Intesis gateway capacity and varies depending on the specific gateway acquired

Installation Sheet rev.1.1

HMS Industrial Networks S.L.U ©

Owner's Record

The serial number is located at the rear of the gateway. Record this information in the space provided below. Refer to it whenever you contact upon your gateway dealer or support team regarding this product.

Serial No. _____

SAFETY INSTRUCTIONS

WARNING

Follow these safety and installation instructions carefully. Improper work may lead to serious harm to your health and may damage seriously the Intesis gateway and/or any other equipment connected to it too.

The Intesis gateway must be installed by accredited electrician or similar technical personnel, following all the safety instructions given here and always in accordance with the country legislation for installation of electric equipment.

The Intesis gateway cannot be installed outdoors or exposed to direct solar radiation, water, high relative humidity, or dust.

The Intesis gateway must only be installed in a restricted access location.

To mount in DIN rail, fix the Intesis device properly to the DIN rail following the instructions below.

Mounting on DIN rail inside a metallic cabinet properly connected to earth is recommended.

Always disconnect power of any wires before manipulating and connecting them to the Intesis gateway.

A power supply with an NEC Class 2 or Limited Power Source (LPS) and SELV rated is to be used.

Always respect the expected polarity of power and communication cables when connecting them to the Intesis device.

Always supply a correct voltage to power the Intesis gateway, see details of the voltage range admitted by the device in the technical characteristics below.

CAUTION: Risk of explosion if battery is replaced by an incorrect type. Dispose of used batteries according to the instructions. Battery replacement shall be done by an authorized installer.

CAUTION: The device is to be connected only to networks without routing to the outside plant, all communication ports are considered for indoor only.

This device was designed for installation in an enclosure. To avoid electrostatic discharge to the unit in environments with static levels above 4 kV, precautions should be taken when the device is mounted outside an enclosure. When working in an enclosure (ex. making adjustments, setting switches, etc.) typical anti-static precautions should be observed before touching the unit.

Safety instructions in other languages can be found at:

<https://intesis.com/docs/manuals/v6-safety>

CONFIGURATION

Use the **Configuration Tool** to configure the gateway.

See instructions to download and install the latest version at:

<https://intesis.com/docs/software/intesis-maps-installer>

Use the Ethernet connection or the Console Port (mini-USB type B connector included) for communication between the gateway and the configuration tool. See CONNECTIONS below and follow instructions of the user's manual for more details.

Rev.1.1

© HMS Industrial Networks S.L.U - All rights reserved
This information is subject to change without notice

INSTALLATION

Follow these instructions to install the gateway properly.

Disconnect from mains the power supply before connecting it to the Intesis device.

Disconnect power of any bus or communication cable before connecting it to the Intesis device.

Mount the Intesis device in a vertical position on the DIN rail following the instruction given below, respecting the safety instructions given above.

IMPORTANT: Connect a NEC Class 2 or Limited Power Source (LPS) and SELV rated power supply to the Intesis gateway, respect the polarity if DC power or Line and Neutral if AC power. **This power supply must not be shared with other devices.** Apply always a voltage within the range admitted by the Intesis gateway and of enough power (see technical characteristics).

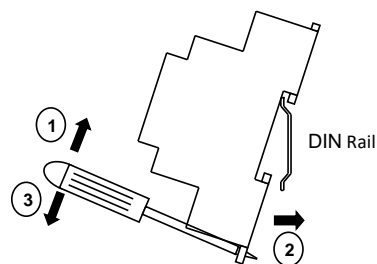
Circuit-breaker must be used before the power supply. Rating 250V-6A.

Connect the communication cables to the gateway, see details on the user's manual.

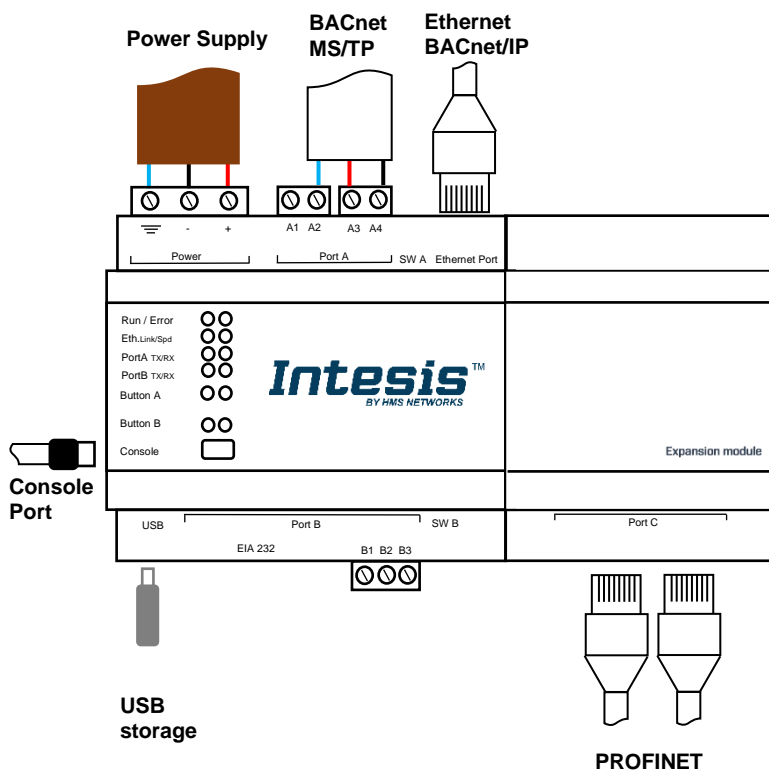
Power the gateway and the rest of devices connected to it.

DIN Rail Mount

With the clips of the box in their original position, insert first the box in the upper edge of the DIN rail and later insert the box in the down part of the rail, using a small screwdriver and following the steps in the figure below.



CONNECTIONS



Power Supply

Must use NEC Class 2 or Limited Power Source (LPS) and SELV rated power supply. Respect polarity applied of terminals (+) and (-). Be sure the voltage applied is within the range admitted (check table below). The power supply can be connected to earth but only through the negative terminal, never through the positive terminal. Functional Earth shall be connected to the installation Earth.

Ethernet / BACnet/IP (UDP) / Console (UDP & TCP)

Connect the cable coming from the IP network to the connector ETH of the gateway. Use an Ethernet CAT5 cable. If communicating through the LAN of the building, contact the network administrator and make sure traffic on the port used is allowed through all the LAN path (check the gateway user manual for more information). With factory settings, after powering up the gateway, DHCP will be enabled for 30 seconds. After that time, if no IP is provided by a DHCP server, the default IP 192.168.100.246 will be set.

PortA / BACnet MS/TP

Connect the EIA485 bus to connectors A3 (+), A4 (-) and A1 or A2 (SNGD) of gateway's PortA. Respect the polarity. Remember the characteristics of the standard EIA485 bus: maximum distance of 1200 meters, maximum 32 devices connected to the bus, and in each end of the bus it must be a termination resistor of 120 Ω. The gateway has an internal bus biasing circuit that incorporates the termination resistor. If you install the gateway in one of the ends of the bus, then do not install an additional termination resistor in that end.

PortB: Reserved for future use.

Port C / PROFINET

Connect the cables coming from the IP network to the PROFINET connectors

Console Port

Connect a mini-type B USB cable from your computer to the gateway to allow communication between the Configuration Software and the gateway. Remember that Ethernet connection is also allowed. Check the user manual for more information. To be used only during the configuration stage.

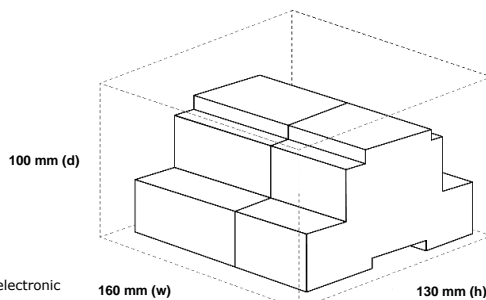
USB

Only used by debugging services. It can connect a USB storage device (not a HDD) if required. Check the user manual for more information.

ELECTRICAL & MECHANICAL FEATURES

Housing	Plastic, type ABS (UL 94 V-0) Net dimensions (HxWxD): 90x160x58 mm Recommended space for installation (HxWxD): 130x160x100 mm Color: Light Grey. RAL 7035
Mounting	DIN rail EN60715 TH35
Terminal Wiring (for power supply and low-voltage signals)	Per terminal: solid wires or stranded wires (twisted or with ferrule) One core: 0.2 mm ² ... 2.5 mm ² Two cores: 0.2 mm ² ... 1.5 mm ² Three cores: Not permitted
Power	1 x Plug-in screw terminal block (3 poles) Positive, Negative, Earth 24 VDC±10% Max.: 580 mA
Ethernet	1 x Ethernet 10/100 Mbps RJ45 2 x Ethernet LED: port link and activity
Port A	1 x Serial EIA485 (Plug-in screw terminal block 2 poles) A, B 1 x Plug-in screw terminal block green (2 poles) SGND (Reference ground or shield) 1500 VDC isolation from other ports
Switch A (SWA)	1 x DIP-Switch for PORT A configuration: Position 1: ON: 120 Ω termination active Off: 120 Ω termination inactive Position 2-3: ON: Polarization active Off: Polarization inactive
PORT B	1 x EIA232 (SUB-D9 male connector) Reserved for future use 1 x EIA485 port (Plug-in screw terminal block 3 poles) Reserved for future use
Switch B (SWB)	1 x DIP-Switch for serial EIA485 configuration: Reserved for future use
PORT C	2 x Ethernet 10/100 Mbps RJ45 4 x Ethernet LED: 2 x port link and 2 x activity

Battery	Size: Coin 20 mm x 3.2 mm Capacity: 3 V / 225 mAh Type: Manganese Dioxide Lithium
Console Port	Mini Type-B USB 2.0 compliant 1500 VDC isolation
USB port	Type-A USB 2.0 compliant Only for USB flash storage device (USB pen drive) Power consumption limited to 150 mA (HDD connection not allowed)
Push Button	Button A: Check the user manual Button B: Check the user manual
Operation Temperature	0°C to +60°C
Operational Humidity	5 to 95%, no condensation
Protection	IP20 (IEC60529)
LED Indicators	8 x On board LED indicators 1 x Error LED 1 x Power LED 2 x Port A TX/RX 2 x Port B TX/RX 1 x Button A indicator 1 x Button B indicator



This marking on the product, accessories, packaging or literature (manual) indicates that the product contains electronic parts and they must be properly disposed of by following the instructions at <https://intesis.com/weee-regulation>

Rev.1.1

© HMS Industrial Networks S.L.U - All rights reserved
This information is subject to change without notice

Intesis
BY HMS NETWORKS

URL <http://www.intesis.com>